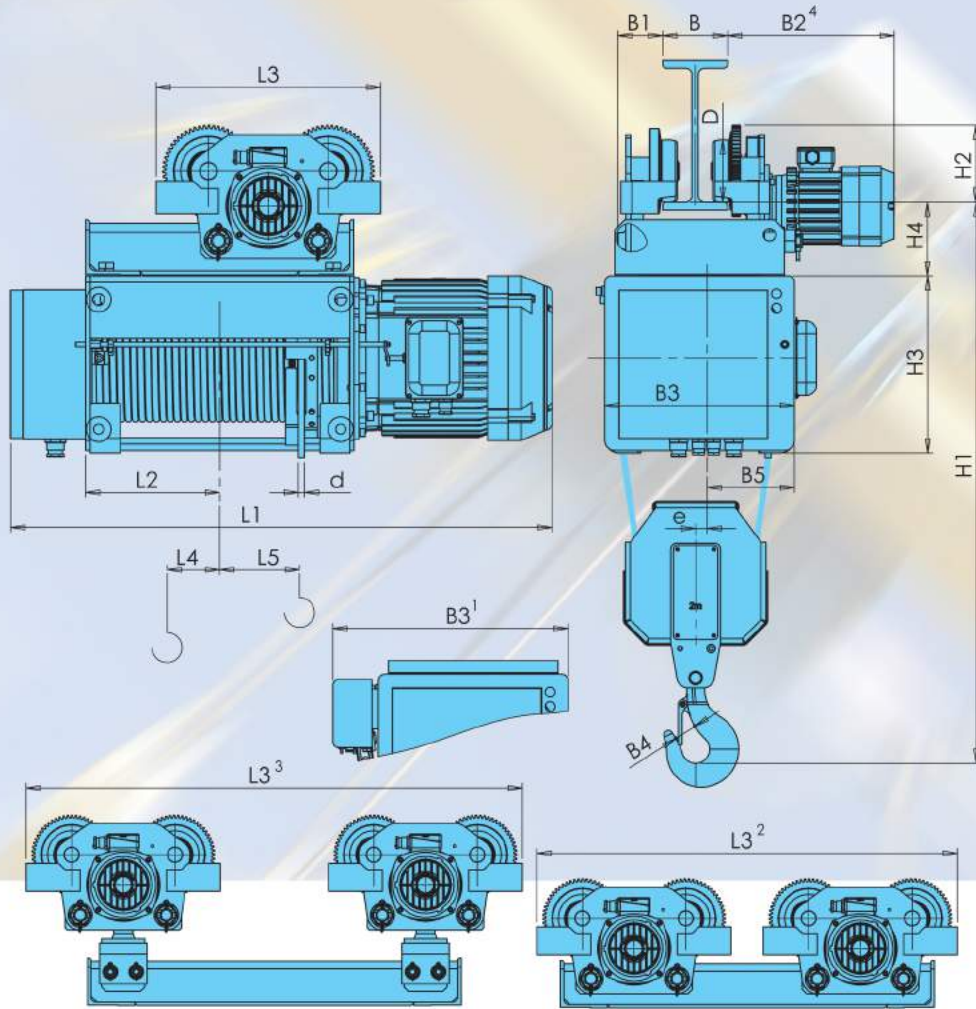


STANDARD HEADROOM 2/1

VAT ELECTRIC WIRE ROPE HOISTS



a=2/1		Masse / Dimensions [mm]																			
TYPE	Lifting height [m]	Capacity [kg]	Lifting speed [m/min]	L2	L3	L4	L5	B	B1	B2	B3	B4	B5	H1	H2	H3	H4	D	e	d	
			9.6/2.4																		
HVAT05	H1	9	845	186	410	7	119	90...300	72	280	290	34	125	880	132	295	100	Ø100	24	50 ¹	6
	H2	13	955	241	410		174														
	H3	17	1065	296	410		229														
	H4	25	1285	406	930 ^{2,3}		339														
	H5	33	1505	516	1150 ^{2,3}		449														

¹ Execution with HOT

² Execution with two trolleys

³ Execution with two articulated trolleys

⁴ Execution with reduction gear for monorail trolley

STANDARD HEADROOM 2/1

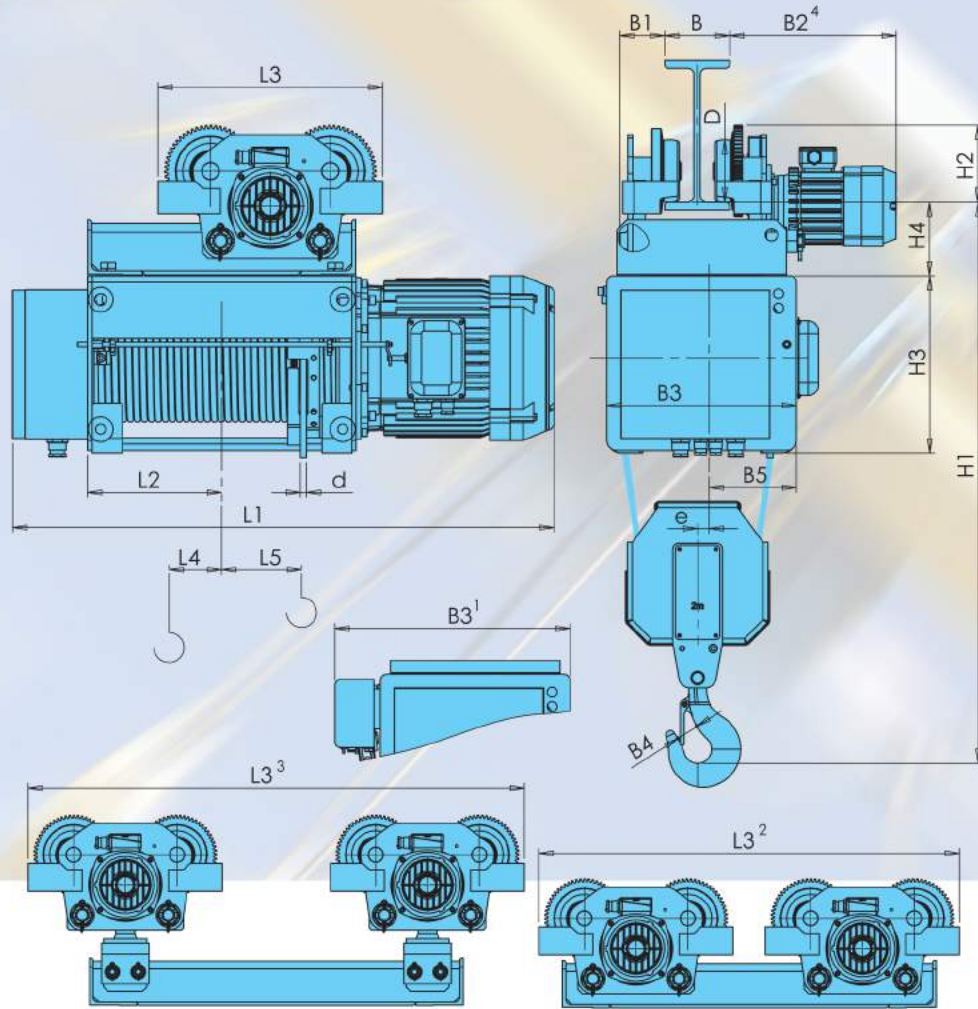
a=2/1			Masse / Dimensions [mm]																				
TYPE	Lifting height [m]		Capacity [kg]	Lifting speed [m/min]		L2	L3	L4	L5	B	B1	B2	B3	B4	B5	H1	H2	H3	H4	D	e	d	
				9.6/2.4																			
				L1																			
HVAT10	H1	6,5	1 000	867	186	410	7	119	90...300	72	280	290	34	125	880	132	295	100	100	Ø100	24	8	
	H2	9		977	241	410																	174
	H3	12		1087	296	410																	229
	H4	18		1307	406	930 ^{2,3}																	339
	H5	24		1527	516	1150 ³																	449
HVAT20	H1	8,5	2 000	992	219	450	5	132	130...300	93	340	380	40	175	1050	154	355	147	147	Ø125	23	10	
	H2	11,5		1092	269	450																	182
	H3	15		1202	324	450																	237
	H4	22		1422	434	975 ² 1151 ³																	347
	H5	29		1642	544	1195 ² 1371 ³																	457
HVAT30	H1	7,5	3 200	1024	219	450	5	132	130...300	93	340	380	45	175	1120	154	355	147	147	Ø125	23	12	
	H2	10		1124	269	450																	182
	H3	13		1234	324	450																	237
	H4	19		1454	434	975 ² 1151 ³																	347
	H5	25		1674	544	1195 ² 1371 ³																	457
HVAT40	H1	6,5	5 000	1100	219	540	62	64	130...300	98	340	480	50	190	1388	187	395	176	156	Ø160	42	14	
	H2	9,5		1195	266	540																	112
	H3	12,5		1287	312	540																	158
	H4	18,5		1533	435	996 ^{2,3}																	281
	H5	25,5		1779	558	1242 ³																	404
HVAT50	H2	9	8 000	1336	280	1153 ³ 1278 ³	24	173	130...300	98	340	575	71	255	1650 ² 1840 ³	187	455	156	340 ³	Ø160	44	18	
	H3	12		1436	330	1153 ³ 1278 ³																	223
	H4	18		1636	430	1153 ³ 1278 ³																	323
	H5	24		1836	530	1185 ² 1310 ³																	423
	H3	14		12 500	1560	394																	1240 ²
H4	17	1660	444		1340 ²	292																	
H5	23	1870	549		1550 ^{2,3}	397																	
H6	29	2080	654		1760 ^{2,3}	502																	

a=2/1			Masse / Dimensions [mm]																			
TYPE	Lifting height [m]		Capacity [kg]	Lifting speed [m/min]		L2	L3	L4	L5	B	B1	B2	B3	B4	B5	H1	H2	H3	H4	D	e	d
				6.0/1.4																		
				L1																		
HVAT60	H3	14	12 500	1560	394	1240 ^{2,3}	42	242	130 ² /150 ³ ...300	101	364	640	71	270	1920 ² 2060 ³	232	535	292 ² 425 ³	Ø210	53	20	
	H4	17		1660	444	1340 ^{2,3}																292
	H5	23		1870	549	1550 ^{2,3}																397
	H6	29		2080	654	1760 ^{2,3}																502
	H2	11,5		16 000	1560	394																1240 ^{2,3}
H3	14	1660	444		1340 ^{2,3}	292																
H4	19	1870	549		1550 ^{2,3}	397																
H5	24	2080	654		1760 ^{2,3}	502																

- ¹ Execution with HOT
- ² Execution with two trolleys
- ³ Execution with two articulated trolleys
- ⁴ Execution with reduction gear for monorail trolley

STANDARD HEADROOM 2/1 - LONG LIFT HEIGHTS

VAT ELECTRIC WIRE ROPE HOISTS



a=2/1		Masse / Dimensions [mm]																				
TYPE	Lifting height [m]	Capacity [kg]	Lifting speed [m/min]	L2	L3	L4	L5	B	B1	B2	B3	B4	B5	H1	H2	H3	H4	D	e	d		
			9.6/2.4																			
			L1																			
HVAT05	H6	41	1725	626	1370 ³	7	559	90...300	72	280	290	34	125	880	132	295	100	200 ³	Ø100	24	50 ¹	6
	H7	49	1945	736	1590 ³		669															
	H8	57	2165	846	1810 ³		779															
	H9	64	2385	956	2030 ³		889															

¹ Execution with HOT

² Execution with two trolleys

³ Execution with two articulated trolleys

⁴ Execution with reduction gear for monorail trolley

STANDARD HEADROOM 2/1 - LONG LIFT HEIGHTS

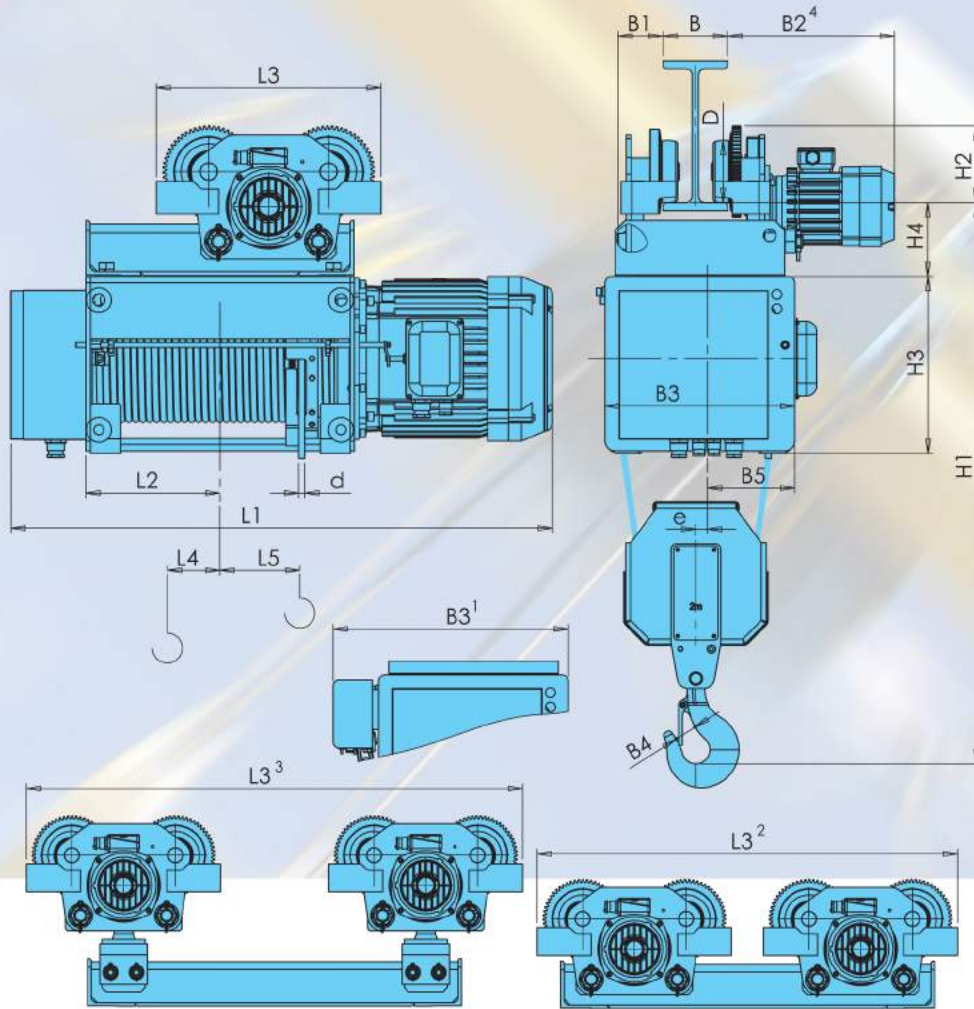
VAT ELECTRIC WIRE ROPE HOISTS

a=2/1			Masse / Dimensions [mm]																			
TYPE	Lifting height [m]	Capacity [kg]	Lifting speed [m/min]		L2	L3	L4	L5	B	B1	B2	B3	B4	B5	H1	H2	H3	H4	D	e	d	
			9.6/2.4	L1																		
HVAT10	H6 30	1 000	1747	626	1370 ^{2,3}	7	559	90...300	72	280	290	34	125	880	132	295	100	200 ³	Ø100	24	50 ¹	8
	H7 36		1967	736	1590 ^{2,3}		669															
	H8 42		2187	846	1810 ^{2,3}		779															
	H9 48		2407	956	2080 ^{2,3}		889															
HVAT20	H6 36	2 000	1862	654	1415 ² 1591 ³	5	567	130...300	93	340	380	40	175	1050 ³ 1190 ³	154	355	147	286 ³	Ø125	23	56 ¹	10
	H7 43		2082	764	1635 ² 1811 ³		677															
	H8 50		2302	874	1855 ² 2031 ³		787															
HVAT30	H6 31	3 200	1894	654	1415 ² 1591 ³	5	567	130...300	93	340	380	45	175	1120 ³ 1260 ³	154	355	147	286 ³	Ø125	23	56 ¹	12
	H7 37		2114	764	1635 ² 1811 ³		677															
	H8 43		2334	874	1855 ² 2031 ³		787															
	H9 49		2554	984	2075 ² 2251 ³		897															
HVAT40	H6 31,5	5 000	2000	668	1461 ³	62	514	130...300	93	340	480	50	190	1372 ² 1515 ³	154	395	160	302 ³	Ø125	42	95 ¹	14
	H7 36,5		2169	753	1632 ³		599															
	H8 42,5		2384	861	1847 ^{2,3}		707															
	H9 48,5		2599	968	2062 ^{2,3}		814															
HVAT50	H6 30	8 000	2036	630	1385 ² 1510 ³	24	523	130...300	98	340	575	71	255	1650 ² 1840 ³	187	455	156	340 ³	Ø160	44	86 ¹	18
	H7 36		2236	730	1585 ² 1710 ³		623															
	H8 42		2536	880	1885 ² 2010 ³		773															
	H9 48		2746	985	2085 ² 2220 ³		878															
	H10 54		2966	1095	2315 ² 2440 ³		988															
	H11 60		3180	1205	2530 ² 2655 ³		1096															
	H12 66		3396	1310	2745 ² 2870 ³		1203															
	H13 72		3610	1418	2960 ² 3085 ³		1311															
HVATB64	H7 35	12 500	2290	759	1970 ^{2,3}	42	607	130/150...300	101	364	640	71	270	1920 ² 2060 ³	232	535	292 ² 425 ³	Ø210	53	111 ¹	20	
	H8 41,5		2500	864	2180 ^{2,3}		712															
	H9 47,5		2710	969	2390 ^{2,3}		817															

- ¹ Execution with HOT
- ² Execution with two trolleys
- ³ Execution with two articulated trolleys
- ⁴ Execution with reduction gear for monorail trolley

STANDARD HEADROOM 2/1 - LONG LIFT HEIGHTS

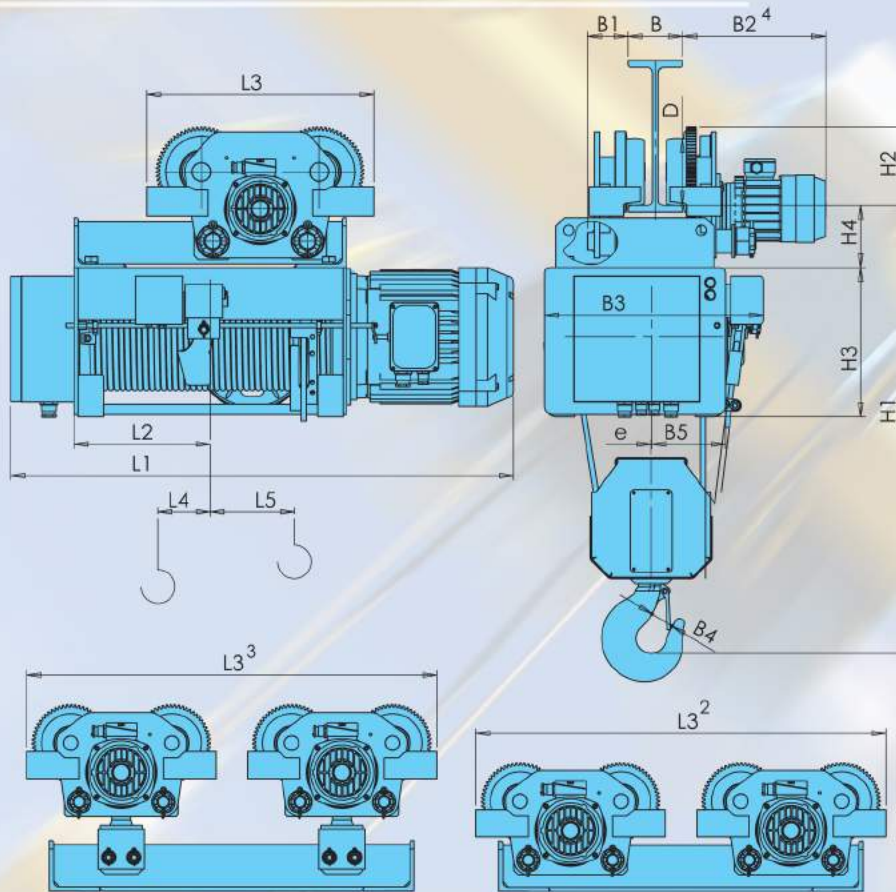
VAT ELECTRIC WIRE ROPE HOISTS



a=2/1			Masse / Dimensions [mm]																			
TYPE	Lifting height [m]		Capacity [kg]	Lifting speed [m/min]		L2	L3	L4	L5	B	B1	B2	B3	B4	B5	H1	H2	H3	H4	D	e	d
				6.0/1.4	L1																	
HVAT60	H7	35	12 500	2290	759	1970 ^{2,3}	42	607	130 ² /150 ³ ..300	101	364	640	71	270	1920 ²	232	535	292 ²	Ø210	53	20	
	H8	41,5		2500	864	2180 ^{2,3}		712			428 ⁴	756			2060 ³			425 ³				111 ¹
	H9	47,5		2710	969	2390 ^{2,3}		817			790 ¹	2060 ³			425 ³			117 ¹				
HVAT64	H6	29,5	16 000	2290	759	1970 ^{2,3}	42	607	130 ² /150 ³ ..300	101	364	640	71	270	1920 ²	232	535	292 ²	Ø210	53	24	
	H7	35		2500	864	2180 ^{2,3}		712			428 ⁴	790 ¹			2060 ³			425 ³				117 ¹
	H8	40		2710	969	2390 ^{2,3}		817			790 ¹	2060 ³			425 ³			117 ¹				

¹ Execution with HOT
² Execution with two trolleys
³ Execution with two articulated trolleys
⁴ Execution with reduction gear for monorail trolley

STANDARD HEADROOM 4/1

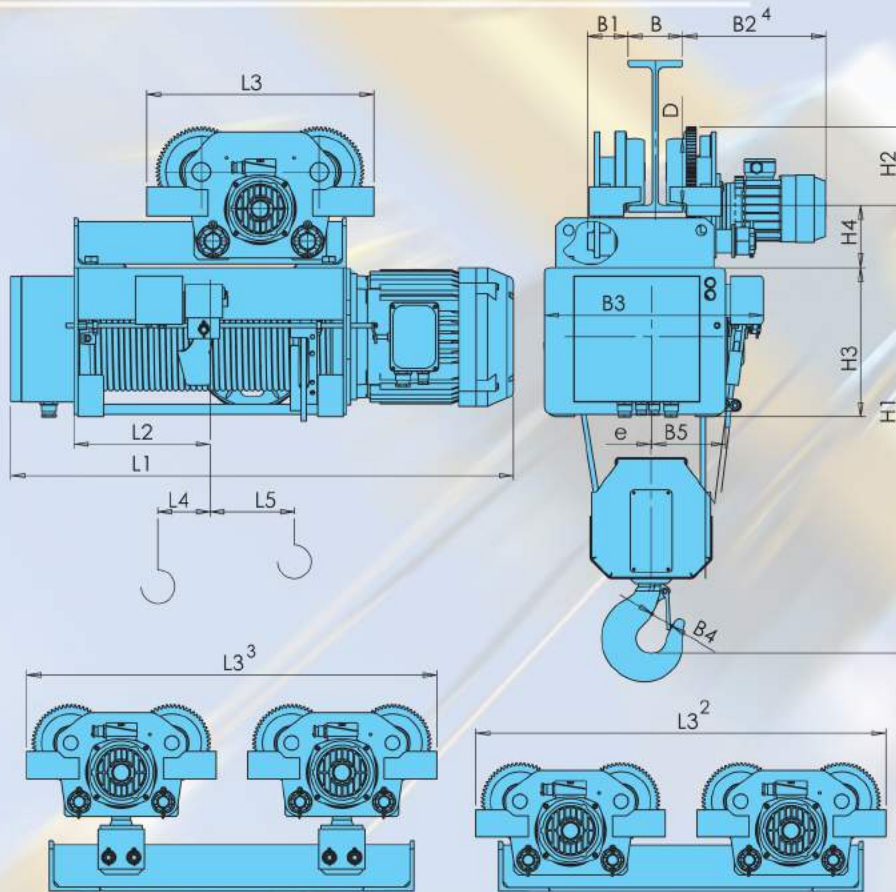


a = 4/1			Masse / Dimensions [mm]																						
TYPE	Lifting height [m]	Capacity [kg]	Lifting speed [m/min]	L2	L3	L4	L5	B	B1	B2	B3	B4	B5	H1	H2	H3	H4	D	e	d					
			4.8/1.2																						
			L1																						
HVAT05	H1	8	1000	1065	296	450	-15	126	90...300	90	340 404 ⁴	390	45	125	897	154	295	147	Ø125	17	6				
	H2	12		1285	406	930 ^{2,3}	-70	236		72	280 337 ⁴				413	850 ² 950 ³		127				100 ² 200 ³	Ø100		
	HB	16		1505	516	1150 ^{2,3}	-125	346																	
HVAT10	H1	6	2000	1087	296	450	-15	126	90...300	90	340 404 ⁴	390	45	125	897	154	295	147	Ø125	17	8				
	H2	9		1307	406	930 ^{2,3}	-70	236		72	280 337 ⁴				413	850 ² 950 ³		127				100 ² 200 ³	Ø100		
	HB	12		1527	516	1150 ^{2,3}	-125	346																	
HVAT20	H1	7,5	4000	1202	324	450	-10	132	130...300	90	340 404 ⁴	510 521 ¹	50	175	1030	154	355	147	Ø125	1,5	10				
	H2	11		1422	434	975 ^{2,3}	-65	242															1030 ² 1170 ³		147 ² 288 ³
	HB	14,5		1642	544	1195 ^{2,3}	-120	352																	

¹ Execution with HOT
² Execution with two trolleys
³ Execution with two articulated trolleys
⁴ Execution with reduction gear for monorail trolley

STANDARD HEADROOM 4/1

VAT ELECTRIC WIRE ROPE HOISTS

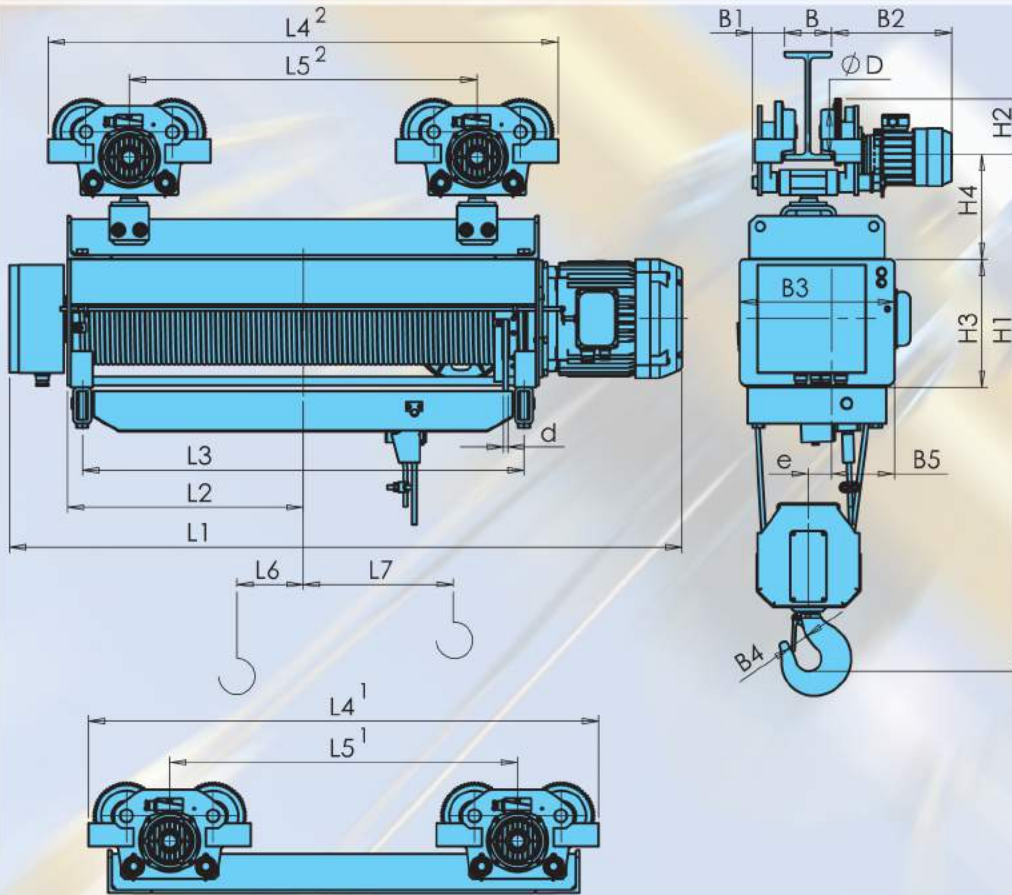


a = 4/1		Masse / Dimensions [mm]																				
TYPE	Lifting height [m]	Capacity [kg]	Lifting speed [m/min]	L2	L3	L4	L5	B	B1	B2	B3	B4	B5	H1	H2	H3	H4	D	e	d		
			4 8/1.2																			
			L1																			
HVAT30	H1	6,5	7 000	1234	324	540	10	104	130...300	96	340 404 ⁴	510 521 ¹	56	175	1071	187	355	150	Ø160	1,5	12	
	H2	9,5		1454	434	975 ^{2,3}	-45	214		1075 ²					154	154 ²		288 ³				Ø125
	HB	12,5		1674	544	1195 ^{2,3}	-100	324		1210 ³												
HVAT40	H1	6	10 000	1287	312	1132 ^{2,3}	50	57	130...300	96	340 404 ⁴	572 588	71	190	1345 ²	187	395	174 ²	Ø160	2	14	
	H2	9		1533	436	1132 ^{2,3}	-12	189		1520 ³						346 ³						
	HB	12,5		1779	558	1266 ^{2,3}	-74	311														
HVAT50	H2	9	16 000	1636	430	1365 ^{2,3}	47	95	130/150...300	101	364 428 ⁴	736 736 ¹	90	255	1720 ²	232	455	292 ²	Ø210	26	18	
	HB	12		1836	530	1565 ^{2,3}	-3	195							1855 ³		425 ³					

¹ Execution with HOT
² Execution with two trolleys
³ Execution with two articulated trolleys
⁴ Execution with reduction gear for monorail trolley

STANDARD HEADROOM 4/1 - LONG LIFT HEIGHTS

VAT ELECTRIC WIRE ROPE HOISTS



a = 4/1		Masse / Dimensions [mm]																				
TYPE	Lifting height [m]	Capacity [kg]	Lifting speed [m/min]	L2	L3	L4	L5	L6	L7	B	B1	B2	B3	B4	B5	H1	H2	H3	H4	D	e	d
			4.8/1.2																			
			L1																			
HVAT05	H4 20	1 000	1725	626	1194	1370 ²	960 ²	-180	456	90...300	72	280	320	45	125	1110 ¹	127	295	100 ¹	Ø100	49	6
	H5 24		1945	736	1414	1590 ²	1180 ¹	-235	566							337 ³			200 ²			
	H6 28		2165	846	1634	1810 ²	1400 ¹	-290	676							1210 ²						
	H7 32		2385	956	1854	2030 ²	1620 ¹	-345	786													
HVAT10	H4 15	2 000	1747	626	1194	1370 ²	960 ²	-180	456	90...300	72	280	320	45	125	1110 ¹	127	295	100 ¹	Ø100	49	8
	H5 18		1967	736	1414	1590 ²	1180 ¹	-235	566							337 ³			200 ²			
	H6 21		2187	846	1634	1810 ²	1400 ¹	-290	676							1210 ²						
	H7 24		2407	956	1854	2030 ²	1620 ¹	-345	786													

- ¹ Execution with HOT
- ² Execution with two trolleys
- ³ Execution with two articulated trolleys
- ⁴ Execution with reduction gear for monorail trolley

STANDARD HEADROOM 4/1 - LONG LIFT HEIGHTS

VAT ELECTRIC WIRE ROPE HOISTS

a = 4/1			Masse / Dimensions [mm]																			
TYPE	Lifting height [m]	Capacity [kg]	Lifting speed [m/min]	L2	L3	L4	L5	L6	L7	B	B1	B2	B3	B4	B5	H1	H2	H3	H4	D	e	d
			4.8/1.2																			
			L1																			
HVAT20	H4 18	5 000	1862	654	1225	1415 ^{1,2}	965 ^{1,2}	-173	460	130...300	90	340 ³	430	50	175	1270 ¹	154	355	147 ¹	Ø125	61,5	10
	H5 21,5		2082	764	1445	1635 ^{1,2}	1185 ^{1,2}	-228	570							1420 ²			288 ²			
	H6 25		2302	874	1665	1855 ^{1,2}	1405 ^{1,2}	-283	680													
HVAT30	H4 15,5	7 000	1894	654	1225	1415 ^{1,2}	965 ^{1,2}	-152	439	130...300	90	340 ³	430	56	175	1305 ¹	154	355	154	Ø125	63,5	12
	H5 18,5		2114	764	1445	1635 ^{1,2}	1185 ^{1,2}	-207	549							1445 ²			288 ²			
	H6 21,5		2334	874	1665	1855 ^{1,2}	1405 ^{1,2}	-262	659													
	H7 24,5		2554	984	1885	2075 ^{1,2}	1625 ^{1,2}	-317	769													
HVAT40	H4 15,5	10 000	2000	668	1261	1485 ^{1,2}	945 ^{1,2}	-122	415	130...300	96	340 ³	480	71	190	1625 ¹	187	395	174 ¹	Ø160	56	14
	H5 18		2169	753	1432	1656 ^{1,2}	1116 ^{1,2}	-165	500							1800 ²			346 ²			
	H6 21		2384	861	1647	1871 ^{1,2}	1331 ^{1,2}	-219	608													
	H7 24		2599	968	1862	2086 ^{1,2}	1546 ^{1,2}	-272	715													
HVAT50	H4 15	16 000	2036	630	1175	1765 ^{1,2}	1175 ^{1,2}	-44	286	130/150...300	101	364 ³	620	90	255	2140 ¹	232	455	292 ¹	Ø210	92	18
	H5 18		2236	730	1375	1965 ^{1,2}	1375 ^{1,2}	-94	386							428 ³			425 ²			
	H6 21		2536	880	1675	2265 ^{1,2}	1675 ^{1,2}	-178	536													
	H7 24		2746	985	1885	2475 ^{1,2}	1885 ^{1,2}	-222	641													
	H8 27		2966	1095	2105	2695 ^{1,2}	2105 ^{1,2}	-277	751													
	H9 30		3181	1203	2320	2910 ^{1,2}	2320 ^{1,2}	-330	858													
	H10 33		3396	1310	2535	3125 ^{1,2}	2535 ^{1,2}	-384	966													
	H11 36		3611	1418	2750	3340 ^{1,2}	2750 ^{1,2}	-438	1074													

¹ Execution with HOT

² Execution with two trolleys

³ Execution with two articulated trolleys

⁴ Execution with reduction gear for monorail trolley