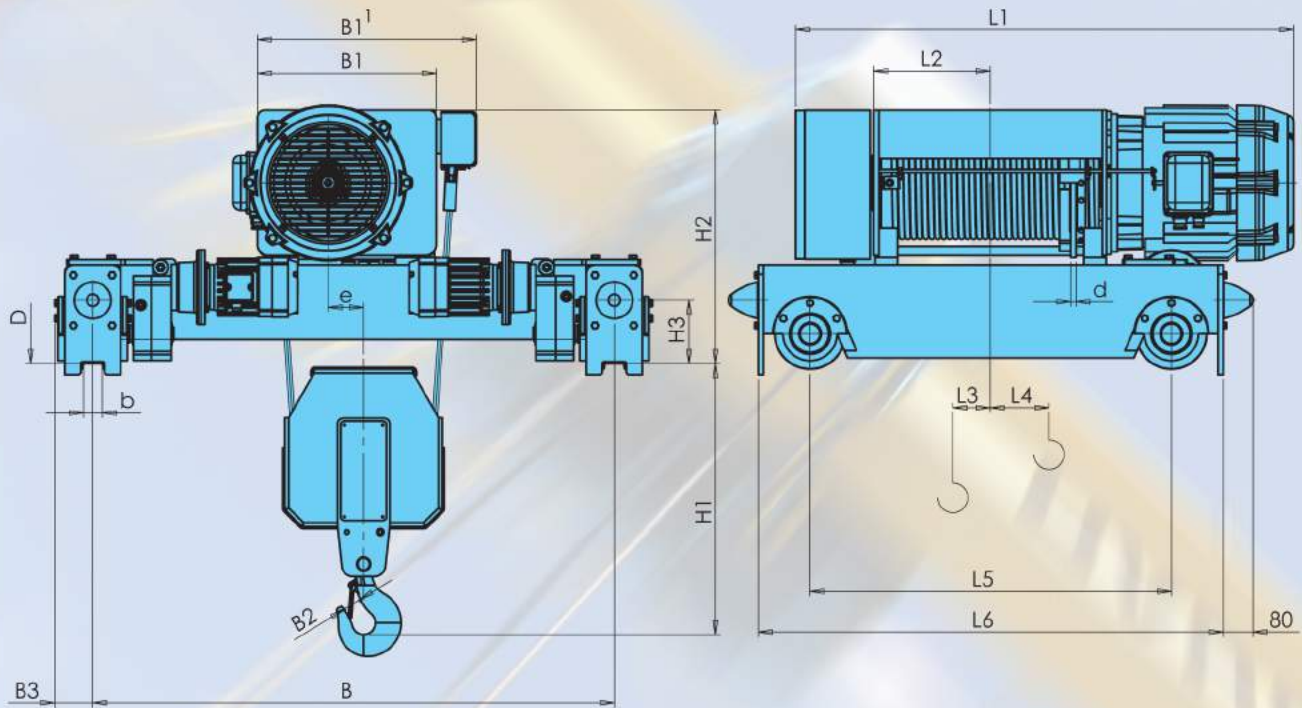


# TOP RUNNING 2/1

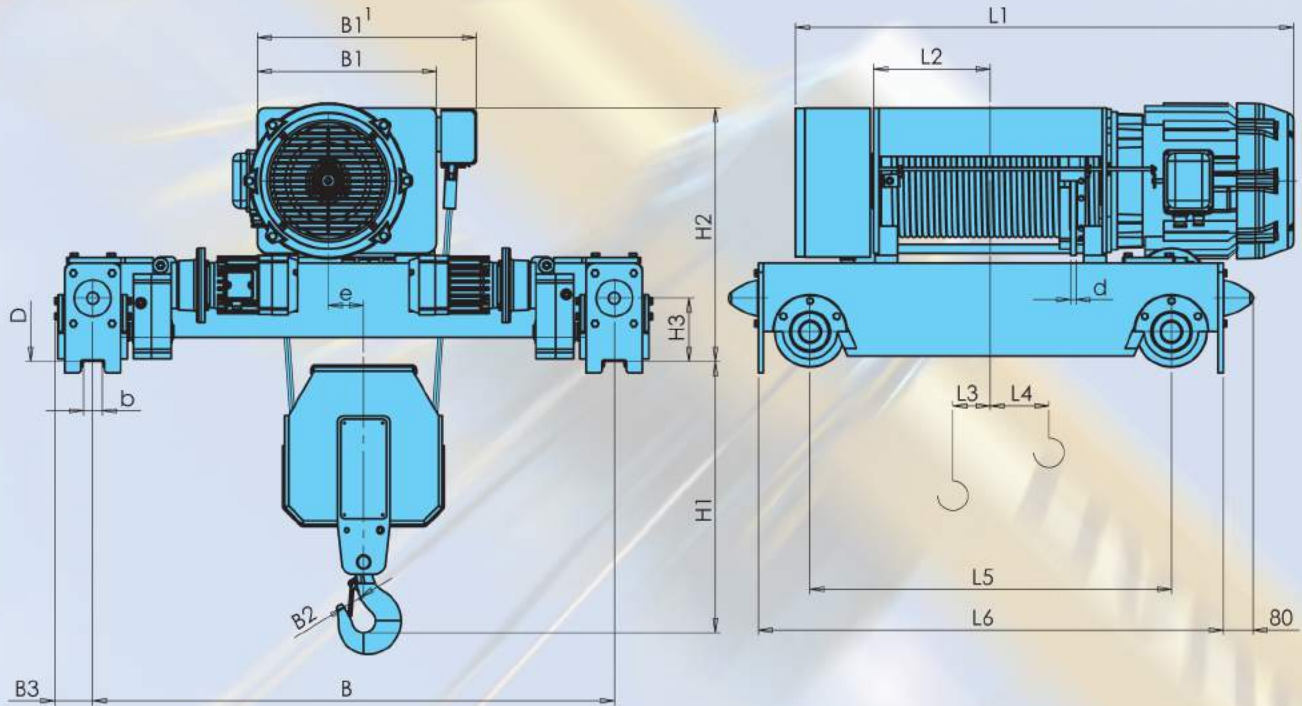
VAT ELECTRIC WIRE ROPE HOISTS



a=2/1		Masse / Dimensions [ mm ]																		
TYPE	Lifting height [m]		Capacity [kg]	Lifting speed [m/min]	L2	L3	L4	L5	L6	B	B1 B1'	B2	B3	H1	H2	H3	D	b	e	d
				9.6/2.4																
				L1																
KVAT 40	H1	6,5	5 000	1100	219	62	64	783	1061	1000	480	50	103	810	680	170	Ø160	50	42	14
	H2	9,5		1195			112	878	1156	1200									95'	
	H3	12,5		1287			158	970	1248	1400										
	H4	18,5		1533			281	1216	1494	1600										
	H5	25,5		1779			404	1462	1740	1800										
KVAT 50	H2	9	8 000	1336	280	24	173	1045	1393	1000	575	71	127	950	809	145	Ø200	60	44	18
	H3	12		1436			223	1145	1493	1200									86'	
	H4	18		1636			323	1345	1693	1400										
	H5	24		1836			423	1545	1893	1600										
KVAB60	H2	8,5	12 500	1365	296	42	145	1075	1423	1200	640 756'	71	127	1035	884	145	Ø250	60	53	20
	H3	14		1560			242	1270	1618	1400									111'	
	H4	17		1660			292	1370	1718	1600										
	H5	23		1870			397	1580	1928	1800										

# TOP RUNNING 2/1

VAT ELECTRIC WIRE ROPE HOISTS

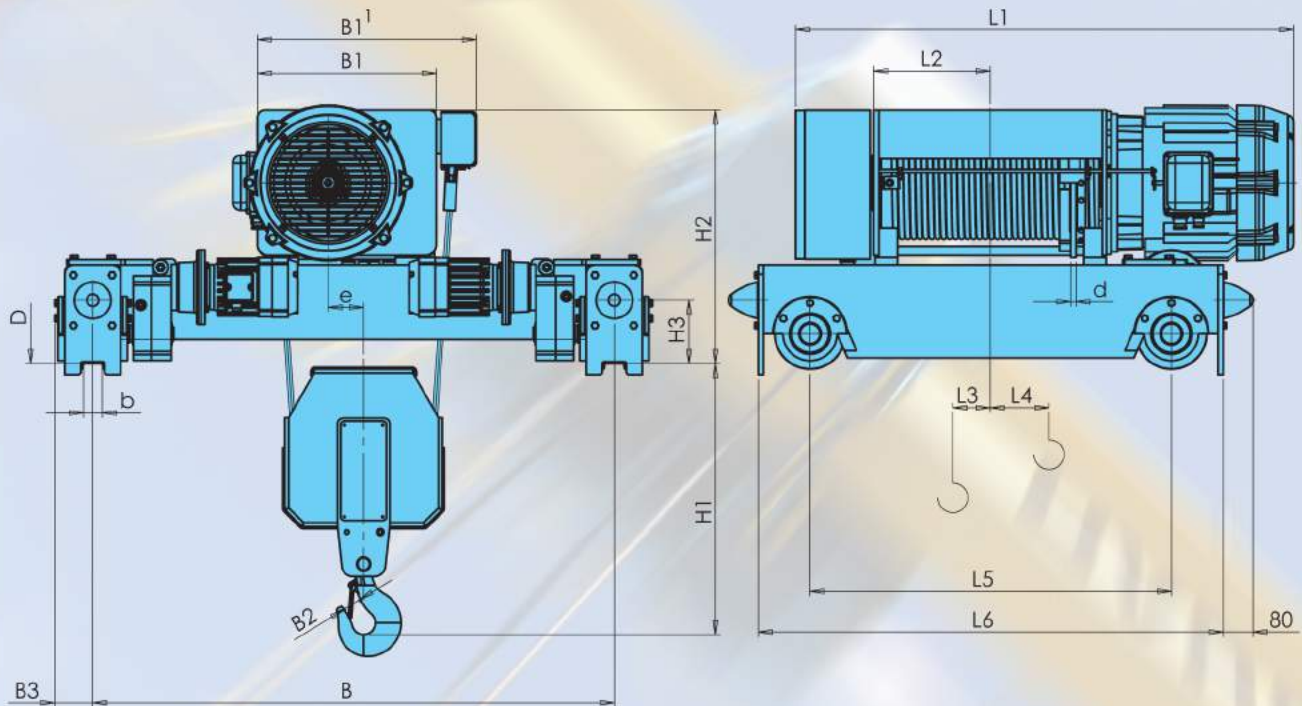


a=2/1			Masse / Dimensions [ mm ]																	
TYPE	Lifting height [m]		Capacity [kg]	Lifting speed [m/min]	L2	L3	L4	L5	L6	B	B1 B1'	B2	B3	H1	H2	H3	D	b	e	d
	6.0/1.4																			
	L1																			
KVAT60	H2	8,5	12 500	1365	296	42	145	1075	1423	1200	640 756'	71	127	1035	884	145	Ø250	60	53 111'	20
	H3	14		1560	394		242	1270	1618	1400										
	H4	17		1660	444		292	1370	1718	1600										
	H5	23		1870	549		397	1580	1928	2000										

a=2/1			Masse / Dimensions [ mm ]																	
TYPE	Lifting height [m]		Capacity [kg]	Lifting speed [m/min]	L2	L3	L4	L5	L6	B	B1 B1'	B2	B3	H1	H2	H3	D	b	e	d
	6.0/1.4																			
	L1																			
KVATA60	H1	6,5	16 000	1365	296	42	145	1075	1423	1200	640 790'	71	127	1035	884	145	Ø250	60	53 117'	24
	H2	11,5		1560	394		242	1270	1618	1400										
	H3	14		1660	444		292	1370	1718	1600										
	H4	19		1870	549		397	1580	1928	1800										
	H5	24		2080	654		502	1790	2138	2000										

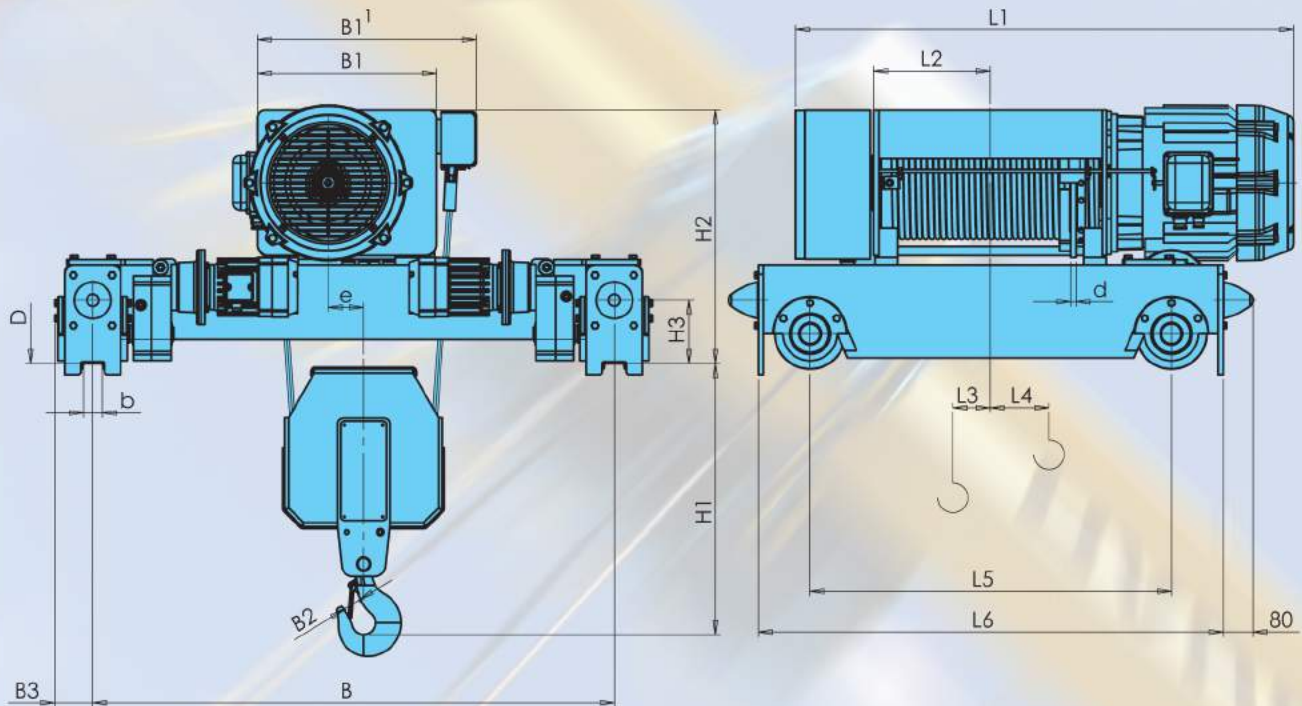
# TOP RUNNING 2/1 - LONG LIFT HEIGHTS

VAT ELECTRIC WIRE ROPE HOISTS



a=2/1		Masse / Dimensions [ mm ]																	
TYPE	Lifting height [m]	Capacity [kg]	Lifting speed [m/min]	L2	L3	L4	L5	L6	B	B1 B1'	B2	B3	H1	H2	H3	D	b	e	d
			9.6/2.4																
			L1																
KVAT 40	H6 31,5	5 000	2000	668	62	514	1681	1959	1000	480 588 <sup>1</sup>	50	103	810	680	170	Ø160	50	42 95 <sup>1</sup>	14
	H7 36,5		2169	753		600	1852	2130	1200										
	H8 42,5		2384	861		707	2067	2345	1400										
	H9 48,5		2599	968		815	2282	2560	1600										
KVAT 50	H6 30	8 000	2036	630	24	523	1745	2093	1000	575 691 <sup>1</sup>	71	127	950	809	145	Ø200	60	44 86 <sup>1</sup>	18
	H7 36		2236	730		623	1945	2293	1200										
	H8 42		2536	880		773	2245	2593	1400										
	H9 48		2746	985		878	2455	2803	1600										

## TOP RUNNING 2/1 - LONG LIFT HEIGHTS

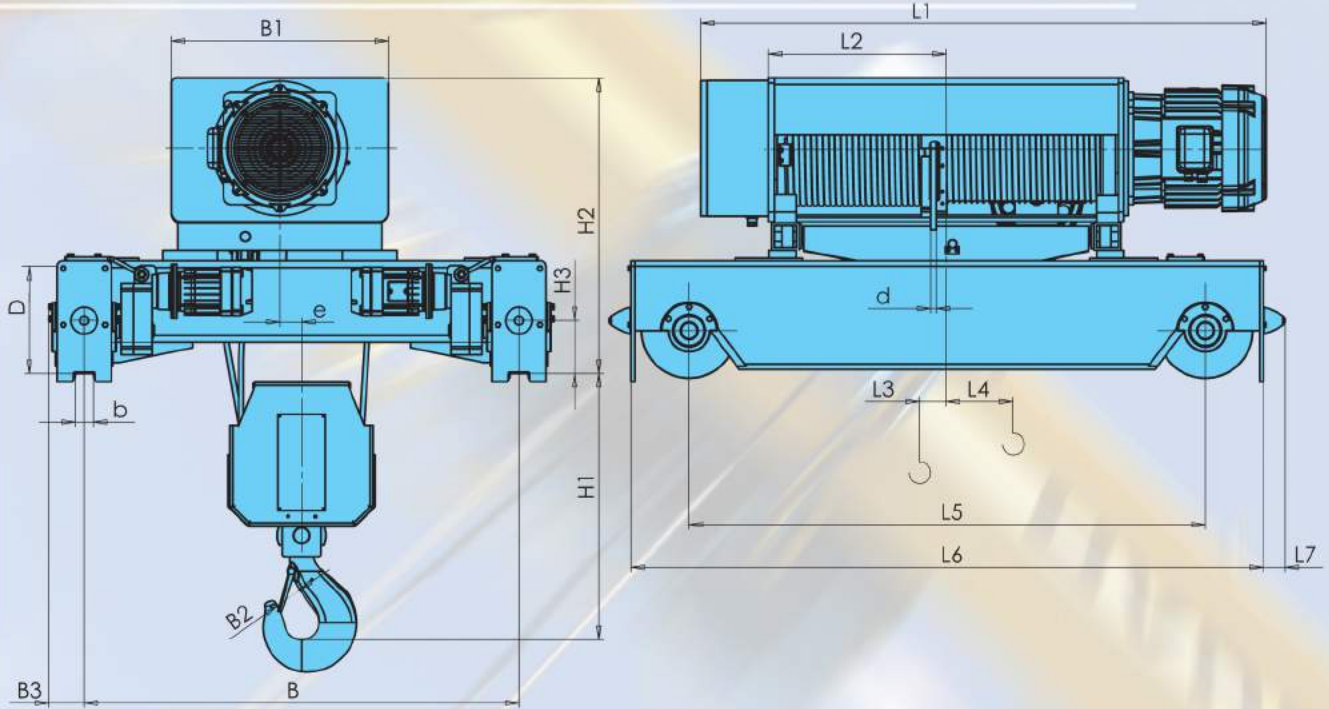


a=2/1			Masse / Dimensions [ mm ]																				
TYPE	Lifting height [m]		Capacity [kg]	Lifting speed [m/min]		L2	L3	L4	L5	L6	B	B1	B1'	B2	B3	H1	H2	H3	D	b	e	d	
				9.6/2.4	L1																		
KVAB60	H6	29	12 500	2080	654	42		502	1790	2138	1200	640	756'	71	127	1035	884	145	Ø250	60	53	111'	20
	H7	35		2290	759			607	2000	2348	1400												
	H8	41,5		2500	864			712	2210	2558	1600												
	H9	47,5		2710	969			817	2420	2768	1800												

a=2/1			Masse / Dimensions [ mm ]																				
TYPE	Lifting height [m]		Capacity [kg]	Lifting speed [m/min]		L2	L3	L4	L5	L6	B	B1	B1'	B2	B3	H1	H2	H3	D	b	e	d	
				6.0/1.4	L1																		
KVAT60	H6	29	12 500	2080	654	42		502	1790	2138	1200	640	756	71	127	1035	884	145	Ø250	60	53	111'	20
	H7	35		2290	759			607	2000	2348	1400												
	H8	41,5		2500	864			712	2210	2558	1600												
	H9	47,5		2710	969			817	2420	2768	1800												
KVATA60	H6	29,5	16 000	2290	759	42		607	2000	2348	1200	640	790	71	127	1035	884	145	Ø250	60	53	117	24
	H7	35		2500	864			712	2210	2558	1400												
	H8	40		2710	969			817	2420	2768	1600												

# TOP RUNNING 4/1 - LONG LIFT HEIGHTS

VAT ELECTRIC WIRE ROPE HOISTS



a=4/1			Masse / Dimensions [ mm ]																					
TYPE	Lifting height [m]		Capacity [kg]	Lifting speed [m/min]	L2	L3	L4	L5	L6	L7	B	B1	B2	B3	H1	H2	H3	D	b	e	d			
				4.8/1.2																				
				L1																				
KVAT20	H4	18	5000	1862	654	-173	460	1645	1923	80	1000	430	56	103	485	740	170	Ø160	50	61,5	10			
	H5	21,5		2082	764	-228	570	1865	2143		1200											1400	1600	1800
	H6	25		2302	874	-283	680	2085	2363		1600											1800		
KVAT30	H4	15,5	7000	1894	654	-152	439	1645	1923	80	1000	430	56	103	510	740	170	Ø160	50	63,5	12			
	H5	18,5		2114	764	-207	549	1865	2143		1200											1400	1600	1800
	H6	21,5		2334	874	-262	659	2085	2363		1600											1800		
	H7	24,5		2554	984	-317	769	2305	2583		1600											1800		
KVAT40	H4	15,5	10 000	2000	668	-122	415	1831	2179	80	1000	480	71	127	720	830	145	Ø200	60	56	14			
	H5	18		2169	753	-165	500	2002	2350		1200											1400	1600	
	H6	21		2384	861	-219	608	2217	2565		1400											1600		
	H7	24		2599	968	-272	715	2432	2780		1600													

# TOP RUNNING 4/1 - LONG LIFT HEIGHTS

a=4/1			Masse / Dimensions [ mm ]																	
TYPE	Lifting height [m]	Capacity [kg]	Lifting speed [m/min]	L2	L3	L4	L5	L6	L7	B	B1	B2	B3	H1	H2	H3	D	b	e	d
			4.8/1.2																	
			L1																	
KVAT 50	H4 15	16 000	2036	630	-44	286	1812	2160	80	1200 1400 1600 1800 2000	620	90	127	950	909	145	Ø250	60	92	18
	H5 18		2236	730	-94	386	2012	2360												
	H6 21		2536	880	-178	536	2312	2660												
	H7 24		2746	985	-222	641	2522	2870												
	H8 27		2966	1095	-277	751	2742	3090												
	H9 30		3181	1203	-330	858	2957	3305												
	H10 33		3396	1310	-384	966	3172	3520												
	H11 36		3611	1418	-438	1074	3387	3735												

a=4/1			Masse / Dimensions [ mm ]																	
TYPE	Lifting height [m]	Capacity [kg]	Lifting speed [m/min]	L2	L3	L4	L5	L6	L7	B	B1	B2	B3	H1	H2	H3	D	b	e	d
			4.8/1.2																	
			L1																	
KVATB60	H4 14,5	25 000	2080	654	-7	244	1900	2328	80	1400 1600 2000	800	100	129	980	1089	195	Ø315	65	80	20
	H5 17,5		2290	759	-59	349	2110	2538												
	H6 20,5		2500	864	-111	454	2320	2748												
	H7 23,5		2710	969	-163	559	2530	2958												

a=4/1			Masse / Dimensions [ mm ]																	
TYPE	Lifting height [m]	Capacity [kg]	Lifting speed [m/min]	L2	L3	L4	L5	L6	L7	B	B1	B2	B3	H1	H2	H3	D	b	e	d
			3.0/0.72																	
			L1																	
KVAT60	H4 14,5	25 000	2080	654	-7	244	1900	2328	80	1400 1600 2000	800	100	129	980	1089	195	Ø315	65	80	20
	H5 17,5		2290	759	-59	349	2110	2538												
	H6 20,5		2500	864	-111	454	2320	2748												
	H7 23,5		2710	969	-163	559	2530	2958												
KVAA60	H5 14,5	32 000	2290	759	-59	349	2110	2538	80	1400 1600 2000	800	100	129	1040	1089	195	Ø315	65	80	24
	H6 17		2500	864	-111	454	2320	2748												
	H7 20		2710	969	-163	559	2530	2958												